



Maximum Performance



FDC20-W

The UniMac PPE Drying Cabinet utilizes a dual air movement to quickly and gently dry turnout gear, including boots and gloves, in a matter of hours. This recirculation conserves energy as our unique design forces heated air through the hangers, inside, upwards and around the outside of your gear, ensuring that your turnout gear is thoroughly dried.

FEATURES AND BENEFITS

- Full color user-friendly touch screen display
- HTS - measures the level of humidity every single second, to determine exactly when the textiles are dry
- Three fans create perfect balance between evacuated and re-circulated air, the fastest speed and efficiency to achieve thorough drying, reducing electricity costs
- Unique hanger structure, can dry clothes more evenly and efficiently inside
- Double sheet metal in sides and doors minimize loss of energy
- The top is removable for easier handling and installation

TOUCH CONTROL

- 7" full color touch screen display with swipe function: very intuitive for users
- Support both Chinese and English display, free switching
- 9 automatic programs, 1 manual program, users can easily switch and program freely
- Humidity control and temperature permanently displayed for ease of use
- Can perform machine diagnosis on the maintenance interface
Programming & firmware updates through USB



Approach, program and running cycle screen

FIREFIGHTER'S PPE DRYING CABINET

MAIN SPECIFICATIONS

Loading capacity Heating effect	kg	up to 20
Fan power	kW	12
Fan effect	kW	0.135*3
Electrical connection	m ³ /h	1000*3
Maximum temperature	3x380 +N 50Hz	70
Airborne sound level	°C	Max. 60
Control	dB(A)	Touch Control
Programming		10
Color		White

SHIPPING DATA

Net Weight	kg	255
Gross weight	kg	275
Shipping Dimensions WxDxH	mm	1860x850x2160

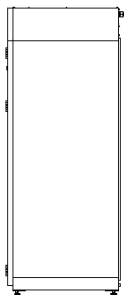
DIMENSIONS

Width	mm	1810
Depth	mm	800
Height	mm	2028

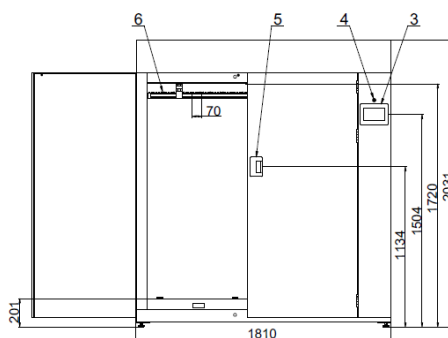
* Drying test temperature 60 °C

- Fire Fighting Uniform: recommended quantity: not more than 6 sets, shall be used with special hangers (standard)
- General protective clothing: recommended quantity: no more than 6 sets, shall be used with special hangers (standard).
- Daily domestic clothing: recommended quantity: no more than 20 pieces, shall be used with the hanging racks (optional).
- Shoes, boots, gloves: according to the actual hanging racks used (optional), place the appropriate number of objects. For example: each hanging glove rack = 4 pairs of gloves; each hanging boot rack = 2 pairs of boots.

RIGHT SIDE VIEW



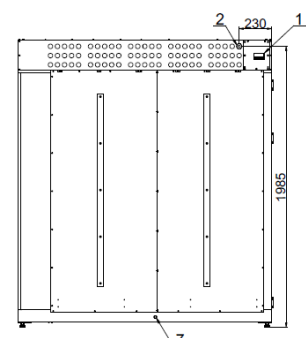
FRONT VIEW



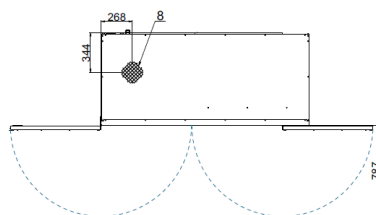
LEFT SIDE VIEW



BACK VIEW



TOP VIEW



1. Air switch
2. Power supply
3. Control panel
4. Power button
5. Door handle
6. Drying hanger bar
7. Drain outlet
8. Air outlet

TO LEARN MORE, OR TO FIND A DISTRIBUTOR IN YOUR AREA, VISIT UNIMAC.COM

ALLIANCE LAUNDRY SYSTEMS - SHEPARD ST, RIPON WI 54971 - +1 800 587 5458

Consult your UniMac® distributor for details. For the most accurate information, the installation guide should be used for all design and construction purposes. Due to continuous product improvements, design and specifications subject to change without notice. The quality management systems at Alliance Laundry Systems' Ripon facility has been registered to ISO 9001:2008.